



# Modular Desiccant Dryer Series

High-performance desiccant air treatment



Efficient air treatment

## A-Series

# Energy efficient desiccant dryers

## A-Series modular compressed air dryers - a dedicated solution for every application

By combining the proven benefits of desiccant drying with modern design, CompAir provides an extremely compact and reliable system to dry and clean compressed air efficiently.

At the heart of any compressed air treatment solution is the dryer, its purpose, to remove water vapour, stop condensation, corrosion and in the case of adsorption dryers, inhibit the growth of micro-organisms.

The CompAir A-Series of heatless regenerative desiccant dryers have proven to be the ideal solution for many thousands of compressed air users worldwide in a wide variety of industries.

## Why choose desiccant dryer technology?

Compressed air purification must deliver uncompromising performance and reliability whilst providing the right balance of air quality with the lowest cost of operation. Heatless desiccant dryers, which are also known as PSA dryers, are the simplest type of desiccant dryer available and have long been the dryer of choice for many industries and applications. They are simple, reliable, and cost effective solutions for small to medium flow systems, often the only viable technology available. Additionally, modular heatless dryers such as A-Series provide an even more reliable, smaller, compact, and lightweight dryer which can be installed in both the compressor room or at the point of use.

## Applications & industries:



**Automotive**



**Food and Beverage**



**Pharmaceutical**



**Chemical**



**Oil & Gas**



“

Clean, dry air improves production efficiency and reduces maintenance costs and downtime. Desiccant dryers provide the highest levels of dry compressed air.

”

## A-Series Product Overview

### AX1M -40°C to AX50M -40°C Series

Flowrates from 0.08 m<sup>3</sup>/min



### AX7M -40°C DS to AX50M -40°C DS Series

Flowrates from 0.67 m<sup>3</sup>/min



### AX7M -70°C to AX50M -70°C Series

Flowrates from 0.67 m<sup>3</sup>/min



## Desiccant technology

Desiccant dryers work on the principle of moisture always migrating to the driest medium possible. Therefore, water vapour is removed from compressed air by passing it over an adsorbent desiccant material.

As the air contacts the adsorbent material, water vapour transfers from the wet air to the dry desiccant, however, adsorbent materials have a fixed adsorption capacity and once this capacity is reached, they must be regenerated or replaced. Therefore, to provide a continuous supply of clean, dry compressed air, adsorbent dryers utilise two chambers of desiccant material and at any one time, whilst one chamber is on-line, drying the incoming compressed air, the other is either off-line, being regenerated or is re-pressurised, ready to come on-line. All desiccant dryers remove water in this manner.

The energy consumed by a desiccant dryer can be directly attributed to the method used to regenerate the adsorbent material. The CompAir A-Series dryers utilise the heatless PSA method to regenerate the adsorbent material.

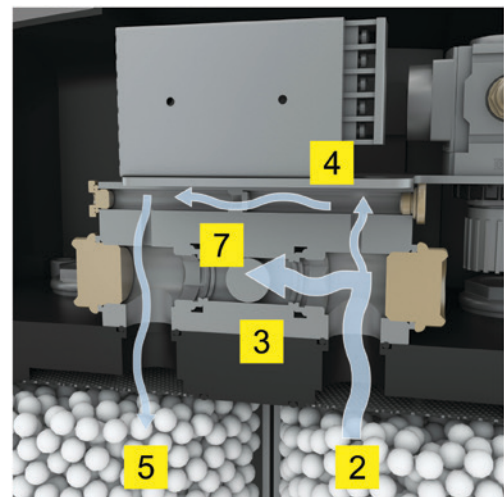
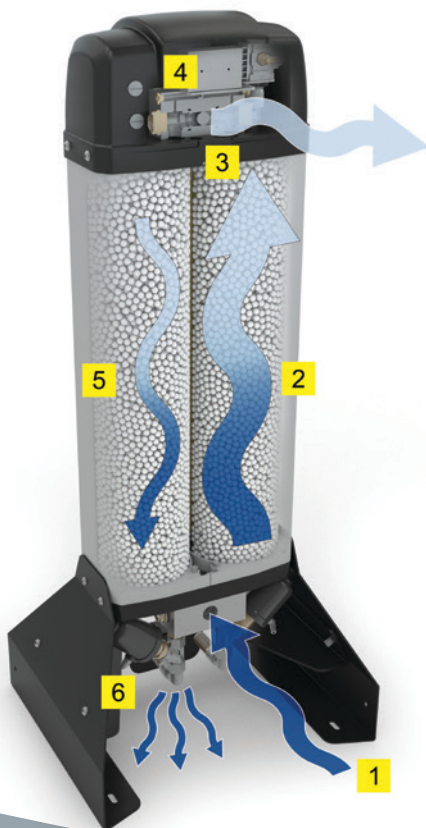
## Advantages at a glance:

- Robust and reliable industry-proven design
- Suitable for all industries and applications - some desiccant dryer regeneration methods prevent their use in certain industries/applications
- Lower capital investment and reduced complexity compared to other dryer regeneration methods
- Lower maintenance costs in comparison to other dryer regeneration methods
- No heat, heaters, or heat-related issues

# Industry proven design

## Drying process

1. Compressed air stream with moisture enters the dryer from the inlet valve, depending on where the PLC sequence step is, this will be either the left or right column.
2. The compressed air gets dried going upward in the column through the desiccant media that adsorb water vapour.
3. From the exit valve, the dried air is delivered to the air system.



## Regenerating process

4. Simultaneously to drying the compressed air in the other column, a limited amount of dried air is passed from the upper outlet valve and expanded to atmospheric pressure through purge orifice housed within the valve, to the regenerating column.
5. This regeneration air flows downwards through the saturated desiccant of the other column and regenerates the desiccant by adsorbing the moisture.
6. The expanded regeneration air containing the adsorbed moisture is discharged through the exhaust solenoid valve and muffler.
7. The sphere in the valve and its position, right or left, determines which column is drying and regenerating. The movement of the sphere is driven by the pressure difference between the columns (pressure for drying column and atmospheric pressure for regenerating column) driven by exhaust solenoid valves in the bottom part of the dryers.



# High air quality, low cost of ownership

## Features are your benefits

### High Air Quality:

Delivers ISO Class 2 or Class 1 pressure dew point air for critical applications; high efficiency pre and post-filters provide constant high air quality, protecting downstream air from contamination.

### Superior Reliability:

Proven electronic control performance indicators, extruded aluminium with anodisation and epoxy painting, and NEMA 3/IP54 Protection (also suitable for outdoor installation) make desiccant dryers durable and high-strength.

### Total Cost of Investment:

Reduced cost of ownership with point of use design to treat only the required air, conservative pressure drop 0.2 Barg, and purge reduction on compressed air demand (on/off-load).

### Ease of Use:

User-friendly electronic interface with alarm indicators available for models 40 and above.

### Serviceability:

Modular dryers feature an optimised design for simplified maintenance and preventative maintenance alerts (models 40 and above).

### Compact & Flexible Solution:

Space-saving design for optimised installation with air inlet and outlet in the back of unit and connection piping can come from right or left. Model up to 0.42 m<sup>3</sup>/min can be wall-mounted or installed horizontally

### Performance Improvement:

Extended rated pressure range from 4 to 14 Barg and increased airflow range coverage up to 300 m<sup>3</sup>/h. Guaranteed class 2 (-40°C) and optionally class 1 (-70°C) pressure dew point.

### Longer Cycle Life:

Modular dryers have a longer cycle time, 10 minutes, than most competitors (4 to 8 minutes maximum).

## Model specific features

### A-Series 5 - 25 Microprocessor

- Simple to use
- Compact, fit the small units
- Cycle time indication
- Right/left tower drying/regenerating indication

### A-Series 40 - 300 Long Service Life

- Proven pneumatic purge valves
- Solenoid control valve

### Low Noise

- Purge mufflers <75 dBA

### Safe & easy installation

- Feet with forklifting provisions

### Quick visual reading

- Pressure gauges

### Dew Point Switching (DS) Option

With this option, the unit is provided with a High Precision Dew Point sensor connected to the Digital Controller.

The DS option will adjust the operation of the dryer according to the outlet air Dew Point Temperature measured by the sensor (The DS option will take over compressor offload interlock function).

DS options return of investment can be less than 1 year, reducing total cost of ownership.



# New Digital Controller 40-300

## Preventative maintenance alerts

Proactive maintenance for dryer reliability and customer uptime.

- Alerts based on running hours
- Maintenance alerts for:
  - Filter Element Change-out
  - Muffler Replacement
  - Valve replacement
  - Desiccant Change-out
  - Dew point sensor service (only with DS)

## Connectivity

Intuitive interface with simple navigation designed for ease-of-use.

- Units from 0.67 m<sup>3</sup>/min and above
- Modbus-ready
- RS-485 communications
  - Easier integration into a wide variety of DCS systems
  - Remote alarm
  - Communicates common alarm through Modbus

## Compressor interlock function

Reduce the timing of the purge cycle based on compressed air demand.

- The controller monitors the cycle rate of the air compressor load/unload to effectively reduce timing of purge (when more than one compressor is connected to A-Series the on/off relay of compressor with the lowest pressure set point must be used)



# CompAir Modular Desiccant Dryer - Technical Data

## AX1M -40°C to AX50M -40°C Series

Model	Capacity			Max Pressure		Pressure Dew Point	Air in/out connection	Power Supply	Dimensions [mm]			Weight	Desiccant per tower
	[m³/min]	[m³/h]	[SCFM]	[bar g]	[psig]	[°C]	[BSP (in)]	[V/Ph/Hz]	[W]	[D]	[H]	[kg]	[kg]
AX1M -40°C	0.08	5	3	14	203	-40	3/8"	230/1/50-60	238	212	423	11	0.7
AX3M -40°C	0.25	15	9	14	203	-40	3/8"	230/1/50-60	238	212	823	18	2.2
AX4M -40°C	0.42	25	15	14	203	-40	3/8"	230/1/50-60	238	212	1073	27	3.0
AX7M -40°C	0.67	40	24	14	203	-40	3/4"	230/1/50-60	475	405	968	44	6.4
AX9M -40°C	0.92	55	32	14	203	-40	3/4"	230/1/50-60	475	405	1118	50	8.4
AX12M -40°C	1.17	70	41	14	203	-40	3/4"	230/1/50-60	475	405	1318	60	10.9
AX17M -40°C	1.67	100	59	14	203	-40	1"	230/1/50-60	475	405	1673	73	15.4
AX25M -40°C	2.50	150	88	14	203	-40	1"	230/1/50-60	475	405	1873	90	18.0
AX33M -40°C	3.33	200	118	14	203	-40	1 1/2"	230/1/50-60	536	495	1705	177	30.8
AX42M -40°C	4.17	250	147	14	203	-40	1 1/2"	230/1/50-60	536	495	1905	180	35.9
AX50M -40°C	5.00	300	177	14	203	-40	1 1/2"	230/1/50-60	536	495	1905	188	35.9

## AX7M -40°C DS to AX50M -40°C DS Series

Model	Capacity			Max Pressure		Pressure Dew Point	Air in/out connection	Power Supply	Dimensions [mm]			Weight	Desiccant per tower
	[m³/min]	[m³/h]	[SCFM]	[bar g]	[psig]	[°C]	[BSP (in)]	[V/Ph/Hz]	[W]	[D]	[H]	[kg]	[kg]
AX7M -40°C DS	0.67	40	24	14	203	-40	3/4"	230/1/50-60	475	405	968	44	6.4
AX9M -40°C DS	0.92	55	32	14	203	-40	3/4"	230/1/50-60	475	405	1118	50	8.4
AX12M -40°C DS	1.17	70	41	14	203	-40	3/4"	230/1/50-60	475	405	1318	60	10.9
AX17M -40°C DS	1.67	100	59	14	203	-40	1"	230/1/50-60	475	405	1673	73	15.4
AX25M -40°C DS	2.50	150	88	14	203	-40	1"	230/1/50-60	475	405	1873	90	18.0
AX33M -40°C DS	3.33	200	118	14	203	-40	1 1/2"	230/1/50-60	536	495	1705	177	30.8
AX42M -40°C DS	4.17	250	147	14	203	-40	1 1/2"	230/1/50-60	536	495	1905	180	35.9
AX50M -40°C DS	5.00	300	177	14	203	-40	1 1/2"	230/1/50-60	536	495	1905	188	35.9

## AX7M -70°C to AX50M -70°C Series

Model	Capacity			Max Pressure		Pressure Dew Point	Air in/out connection	Power Supply	Dimensions [mm]			Weight	Desiccant per tower
	[m³/min]	[m³/h]	[SCFM]	[bar g]	[psig]	[°C]	[BSP (in)]	[V/Ph/Hz]	[W]	[D]	[H]	[kg]	[kg]
AX7M -70°C	0.53	32	19	14	203	-70	3/4"	230/1/50-60	475	405	968	44	6.4
AX9M -70°C	0.73	44	26	14	203	-70	3/4"	230/1/50-60	475	405	1118	50	8.4
AX12M -70°C	0.93	56	33	14	203	-70	3/4"	230/1/50-60	475	405	1318	60	10.9
AX17M -70°C	1.33	80	47	14	203	-70	1"	230/1/50-60	475	405	1673	73	15.4
AX25M -70°C	2.00	120	71	14	203	-70	1"	230/1/50-60	475	405	1873	90	18.0
AX33M -70°C	2.67	160	94	14	203	-70	1 1/2"	230/1/50-60	536	495	1705	177	30.8
AX42M -70°C	3.33	200	118	14	203	-70	1 1/2"	230/1/50-60	536	495	1905	180	35.9
AX50M -70°C	4.00	240	142	14	203	-70	1 1/2"	230/1/50-60	536	495	1905	188	35.9

## Correction Factors

		Inlet Air Pressure										
		bar g	4	5	6	7	8	9	10	11	12	13
Inlet Air Temperature	35°C	0.63	0.75	0.88	1.00	1.14	1.25	1.37	1.49	1.64	1.75	1.89
	40°C	0.55	0.66	0.77	0.88	1.00	1.00	1.20	1.32	1.43	1.54	1.64
	45°C	0.45	0.54	0.63	0.72	0.81	0.90	1.00	1.08	1.18	1.27	1.35
	50°C	0.32	0.39	0.45	0.52	0.58	0.65	0.71	0.78	0.85	0.91	0.97

		Inlet Air Pressure										
		psi g	58	73	87	102	116	131	145	160	174	189
Inlet Air Temperature	95°F	0.63	0.75	0.88	1.00	1.14	1.25	1.37	1.49	1.64	1.75	1.89
	104°F	0.55	0.66	0.77	0.88	1.00	1.00	1.20	1.32	1.43	1.54	1.64
	113°F	0.45	0.54	0.63	0.72	0.81	0.90	1.00	1.08	1.18	1.27	1.35
	122°F	0.32	0.39	0.45	0.52	0.58	0.65	0.71	0.78	0.85	0.91	0.97

Prefilters and Postfilter are supplied as standard on Modular Dryers.

### Prefilter

Particle removal down to 0.01 micron

- Including water and oil aerosols
- Maximum remaining oil aerosol content of 0.01 mg/m³ @ 21°C

### Postfilter

Particle removal down to 0.1 micron

- Including coalesced liquid, water and oil
- Maximum remaining oil aerosol content of 0.03 mg/m³ @ 21°C



# Global experience – truly local service

With over 200 years of engineering excellence, the CompAir brand offers an extensive range of highly reliable, energy efficient compressors, dryers and accessories to suit all applications.

An extensive network of dedicated CompAir sales companies and distributors across all continents provide global expertise with a truly local service, ensuring our advanced technology is backed up with the right support.

CompAir has consistently been at the forefront of compressed air systems development, culminating in some of the most energy efficient and low environmental impact compressors on the market today, helping customers achieve or surpass their sustainability targets.



## CompAir compressed air product range

### Advanced Compressor Technology Lubricated

- Rotary Screw
  - > Fixed and Regulated Speed
- Piston
- Portable

### Oil-Free

- Water Injected Screw
  - > Fixed and Regulated Speed
- Two Stage Screw
  - > Fixed and Regulated Speed
- Piston
- High Speed Centrifugal - Quantima®
- Rotary Scroll

### Complete Air Treatment Range

- Filter
- Refrigerant and Desiccant Dryer
- Condensate Management
- Heat of Compression Dryer
- Nitrogen Generator

### Modern Control Systems

- CompAir DELCOS Controllers
- SmartAir Master Sequencer
- iConn - Smart Flow Management

CompAir policy is one of continuous improvement and we therefore reserve the right to alter specifications and prices without prior notice. All products are sold subject to the Company's conditions of sale.

### Value Added Services

- Professional Air Audit
- Performance Reporting
- Leak Detection

### Leading Customer Support

- Custom Engineered Solutions
- Local Service Centres
- Genuine CompAir Parts and Lubricants